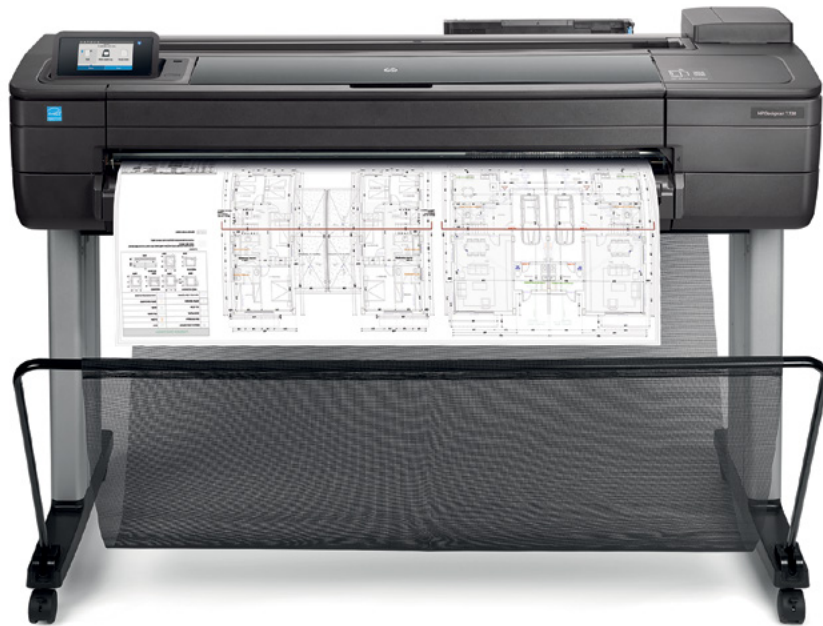




HP DesignJet T730 Printer

A smart investment for small businesses

36-inch, robust and compact Wi-Fi printer for CAD and general-purpose applications



SMART—Invest in a robust printer

- Robust, compact, and professional—this printer fits your business and gives you space to work
- Produces prints 3 times faster than previous HP models—see A1/D-size prints delivered in 25 seconds
- Choose from 40- to 300-ml HP ink cartridges to fit your print volume, large supplies can reduce interventions

EASY—Convenient printing helps reduce time, waste

- Cut waste by 50%—print at half scale with automatic sheet feeder/tray; cut extra work, waste of wide rolls¹
- The front panel works like a smartphone—easily swipe through the intuitive user interface on the touchscreen
- No LAN needed—move this printer any time, any place your Wi-Fi signal can reach with wireless connectivity²

MOBILE—Easily print from smartphone or tablet²

- Print from mobile devices in a few simple clicks with HP Mobile Printing²—quickly work through revisions
- If you're on-the-go, attach your document to an email and send it directly to your printer via ePrint²
- Use the HP AiO Printer Remote app^[3] to access additional print features when printing from a mobile device
- The printer creates its own Wi-Fi network for easy connectivity with Wi-Fi Direct

For more information, please visit
hp.com/go/designjetT730

¹ Printing on sheets eliminates the extra work and cutting waste of printing on performance equivalent roll-based printers in the market as of September, 2015. For example, printing at half scale (13.5 inches) on a typical (36-inch) roll results in over 50% paper waste and additional labor to cut.

² Local printing requires mobile device and printer to be on the same network (usually Wi-Fi access points bridge wireless to wired connections) or have a direct wireless connection. Wireless performance is dependent on physical environment and distance from access point. Wireless operations are compatible with 2.4 GHz operations only. Remote printing requires an Internet connection to an HP web-connected printer. Wireless broadband use requires separately purchased service contract for mobile devices. Check with service provider for coverage and availability in your area. See hp.com/go/designjetmobility for more details.

³ The HP All-in-One Printer Remote mobile app is available for Apple® iPad, iPhone, and iPod Touch running iOS v7.0 or later and for Android™ mobile devices running Android™ v4.4 or later. The HP All-in-One Printer Remote mobile app is available for free from the Apple® App Store for Apple® mobile devices and from the Google Play Store for Android™ mobile devices.

Technical specifications

Print	Line drawings ⁴	25 sec/page on A1/D, 82 A1/D prints per hour
	Print resolution	Up to 2400 x 1200 optimized dpi
	Margins (top x bottom x left x right)	Roll: 5 x 5 x 5 x 5 mm (0.2 x 0.2 x 0.2 x 0.2 in) Sheet: 5 x 5 x 5 x 5 mm (0.2 x 0.2 x 0.2 x 0.2 in)
	Technology	HP Thermal Inkjet
	Ink types	Dye-based (C, M, Y); pigment-based (mK)
	Ink drop	6 pl (C, M, Y); 12.6 pl (mK)
	Printheads	1 (C, M, Y, mK)
	Line accuracy	+/- 0.1% ⁵
	Minimum line width	0.02 mm (0.0008 in) (HP-GL/2 addressable)
	Guaranteed minimum line width	0.07 mm (0.0028 in) (ISO/IEC 13660:2001(E)) ⁶
Media	Handling	Sheet feed, roll feed, input tray, media bin, automatic cutter
	Size	Rolls: 279 to 914 mm (11 to 36 in) Sheets: 210 x 279 to 914 x 1897 mm (8.3 x 11 to 36 x 74.7 in) Standard sheets: A4, A3, A2, A1, A0 (A, B, C, D, E)
	Thickness	Up to 0.3 mm (11.8 mil)
Applications	Line drawings, Renderings, Presentations	
Memory	1 GB	
Connectivity	Interfaces (standard)	Gigabit Ethernet (1000Base-T), Wi-Fi, Hi-Speed USB 2.0 certified connector
	Print languages (standard)	HP-GL/2, HP-RTL, TIFF, JPEG, CALS G4, HP PCL 3 GUI, URF
	Printing paths	Windows and Mac printer drivers, Apple AirPrint driver, print from USB pen drive
	Mobile printing capability features	Wi-Fi Direct and Local Wi-Fi connectivity to enable mobile printing via HP ePrint, Apple AirPrint™ and HP All-in-One printer remote App. Supports printing from most smartphones and tablets using these operating systems: Android, iOS
	Drivers (included)	HP-GL/2, HP-RTL drivers for Windows; HP PCL 3 GUI driver for Mac OS X and Windows
Dimensions (w x d x h)	Printer	1403 x 583 x 1155 mm (55.2 x 23 x 45.5 in)
	Shipping	1578 x 575 x 646 mm (62.5 x 22.6 x 25.4 in)
Weight	Printer	48 kg (105.8 lb)
	Shipping	70 kg (154.3 lb)
What's in the box	HP DesignJet T730 Printer, printhead, ink cartridges, printer stand, spindle, quick reference guide, setup poster, startup software, power cord	
Environmental ranges	Operating temperature:	5 to 40°C (41 to 104°F)
	Storage temperature:	-25 to 55°C (-13 to 131°F)
	Operating humidity:	20 to 80% RH
Acoustic	Sound pressure: 48 dB(A) (printing); < 16 dB(A) (sleep)	
	Sound power: 6.5 B(A) (printing); < 3.4 B(A) (sleep)	
Power consumption	35 watts (printing), 3.5 watts (sleep), 0.2 watts (standby) Input voltage (auto ranging): 100 to 240 VAC (+/- 10%), 50/60 Hz (+/- 3 Hz), 1.2 A max	
Certification	Safety	USA and Canada (CSA certified), EU (LVD and EN 60950-1 compliant), Russia (GOST), Singapore (PSB), China (CCC), Mexico (NYCE), India (BIS)
	Electromagnetic	Compliant with Class B requirements, including: USA (FCC rules), Canada (ICES), EU (EMC/R&TTE Directives), Australia (ACMA), New Zealand (RSM), China (CCC), Japan (VCCI); Certified as Class A product: Korea (KCC)
	Environmental	ENERGY STAR, EPEAT Silver, CE marking (including RoHS, WEEE, REACH). In compliance with WW RoHS materials restriction requirements in China, Korea, India, Vietnam, Turkey, Serbia, and Ukraine.
Warranty	One-year limited warranty. Warranty and support options vary by product, country and local legal requirements.	



⁴ Mechanical printing time. Printed in Fast mode with Economode on, using HP Bright White Inkjet Paper (bond) and Original HP inks.

⁵ +/-0.1% of the specified vector length or +/-0.2 mm (whichever greater) at 23°C (73°F), 50-60% relative humidity, on A0/E HP heavyweight media in Best or Normal mode with HP Matte Film.

⁶ Measured on HP Matte Film.

⁷ Available as of January, 2016.

⁸ Available as of March 2016.

⁹ BMG trademark license code FSC®-C115319, see fsc.org. HP trademark license code FSC®-C017543, see fsc.org. Not all FSC®-certified products are available in all regions. For information about HP large format printing materials, please visit HPLFMedia.com.

© Copyright 2015 HP Development Company, L.P. The information contained herein is subject to change without notice. The only warranties for HP products and services are set forth in the express warranty statements accompanying such products and services. Nothing herein should be construed as constituting an additional warranty. HP shall not be liable for technical or editorial errors or omissions contained herein.

ENERGY STAR and the ENERGY STAR mark are registered trademarks owned by the U.S. Environmental Protection Agency. Windows is a U.S. registered trademark of Microsoft Corporation. Mac and the Mac logo are trademarks of Apple Computer, Inc., registered in the U.S. and other countries.

4AA5-9751ENA, November 2015

Ordering information

Product	F9A29A	HP DesignJet T730 36-in Printer
Accessories	B3Q37A	HP DesignJet 36-in Spindle
	N7P47AA	HP USB 3.0 to Gigabit Adapter
	N9M07A	HP DesignJet Rugged Case ⁷
Original HP printhead	F9J81A	HP 729 DesignJet Printhead Replacement Kit
Original HP ink cartridges	F9J61A	HP 728 40-ml Yellow DesignJet Ink Cartridge
	F9J62A	HP 728 40-ml Magenta DesignJet Ink Cartridge
	F9J63A	HP 728 40-ml Cyan DesignJet Ink Cartridge
	F9J64A	HP 728 69-ml Matte Black DesignJet Ink Cartridge
	F9J65A	HP 728 130-ml Yellow DesignJet Ink Cartridge
	F9J66A	HP 728 130-ml Magenta DesignJet Ink Cartridge
	F9J67A	HP 728 130-ml Cyan DesignJet Ink Cartridge
	F9J68A	HP 728 300-ml Matte Black DesignJet Ink Cartridge
Original HP large format printing materials	F9K15A	HP 728 300-ml Yellow DesignJet Ink Cartridge ⁸
	F9K16A	HP 728 300-ml Magenta DesignJet Ink Cartridge ⁸
	F9K17A	HP 728 300-ml Cyan DesignJet Ink Cartridge ⁸
	C1861A	HP Bright White Inkjet Paper (FSC® certified) ⁹ ♻️ 10 914 mm x 45.7 m (36 in x 150 ft)
	Q1397A	HP Universal Bond Paper (FSC® certified) ⁹ ♻️ 10 914 mm x 45.7 m (36 in x 150 ft)
	Q1413B	HP Universal Heavyweight Coated Paper (FSC® certified) ⁹ ♻️ 10 914 mm x 30.5 m (36 in x 100 ft)
	Q1421B	HP Universal Satin Photo Paper (FSC® certified) ⁹ ♻️ 11 914 mm x 30.5 m (36 in x 100 ft)
Service and support	UC744E	HP Installation Service with Network Setup
	U1XV4E	HP Preventive Maintenance Service
	U8PH0E	HP 3 year NBD* DesignJet T730 HW Support
	U8TY6E	HP 4 year NBD* DesignJet T730 HW Support
	U8PH1E	HP 5 year NBD* DesignJet T730 HW Support
	U8PH2PE	HP 1 year Post Warranty NBD* DesignJet T730 HW Support
	U8TY7PE	HP 2 year Post Warranty NBD* DesignJet T730 HW Support

* Next Business Day.

HP DesignJet Support Services offer solutions for business critical environments — installation, extended support and maintenance, as well as a variety of value-added services. For more information, please visit hp.com/go/designjetsupport.

Use **Original HP inks** and printheads to experience consistent high quality and reliable performance that enable less downtime. These critical components are designed and engineered together as an optimized printing system to provide precise line accuracy as well as dark blacks. For more information, visit hp.com/go/OriginalHPInks.

For the entire **HP Large Format Printing Materials** portfolio, please see HPLFMedia.com.

Eco Highlights

- ENERGY STAR® certified and EPEAT Silver registered¹²
- Free, convenient HP ink cartridge recycling¹³
- FSC®-certified papers⁹ and a range of recyclable HP media with a take-back program¹³

Please recycle large-format printing hardware and printing supplies.

Find out how at our website
hp.com/ecosolutions

¹⁰ Can be recycled through commonly available recycling programs.

¹¹ In North America and Asia (including Japan), recyclable in consumer collection systems that can accept mixed paper (may not be recyclable in your area); in Europe recyclable in consumer collection systems that accept liquid packaging.

¹² EPEAT registered where applicable and/or supported. See epeat.net for registration status by country.

¹³ Program availability varies. Please check hp.com/recycle for details. Many HP printing materials are recyclable through commonly available recycling programs. For information about HP large format printing materials, please visit HPLFMedia.com.

PLAN&PRINT
SYSTEMS INC.

(315) 437-5111

Fax: (315) 463-1510
www.planandprint.com
sales@planandprint.com
facebook.com/planandprint

6160 Eastern Ave., Syracuse, NY 13211